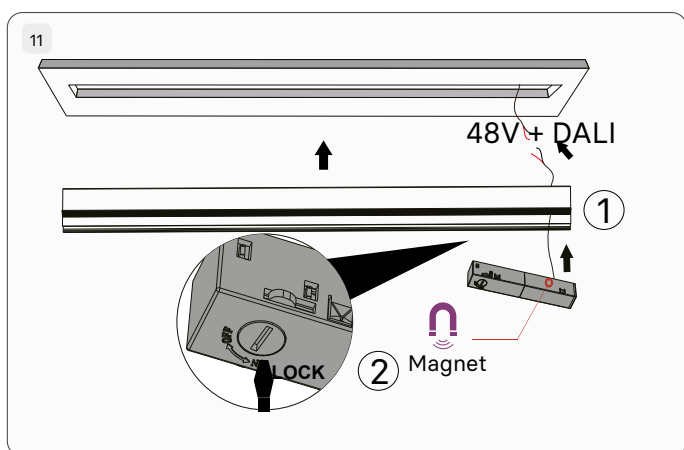
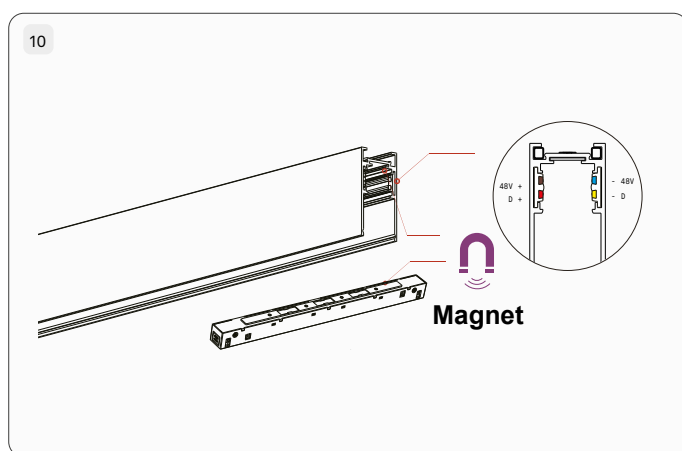
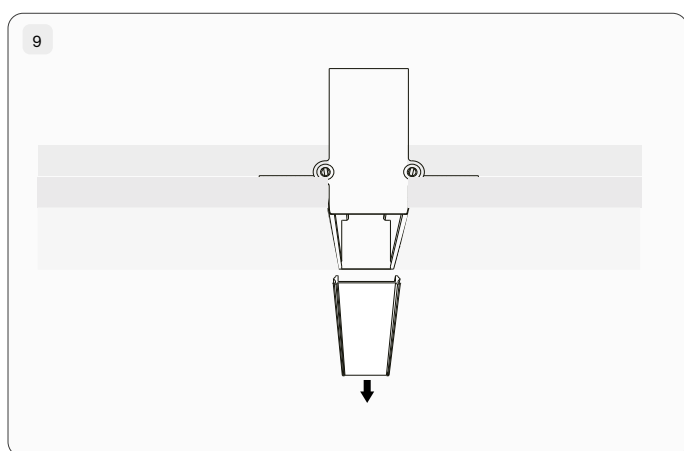
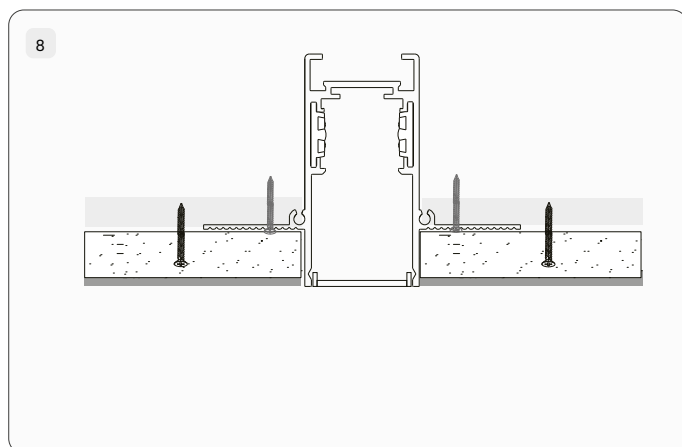
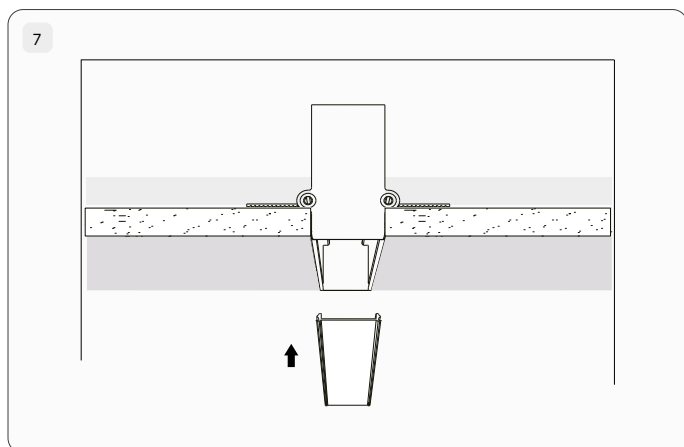


- 1 - Make cut-out.
- 2 - Fit end caps and mechanical connections, noting power entry point.
- 3 - Remove PC cover
- 4 - Add timber reinforcement, allowing for clearance.
- 5 - Fix extrusion to timber reinforcement, allowing for clearance.
- 6 - Add plasterboard.



7 - Replace PC cover.

8 - Skim and set plaster to edge.

9 - Remove PC cover.

10 - Add modules.

11 - Terminate and add powerfeed and electrical connectors, ensuring to locking into position.

- Red ▶ Active
- Black ▶ Neutral
- Grey ▶ DALI 1
- Yellow ▶ DALI 2