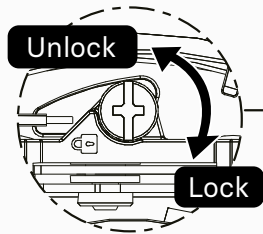


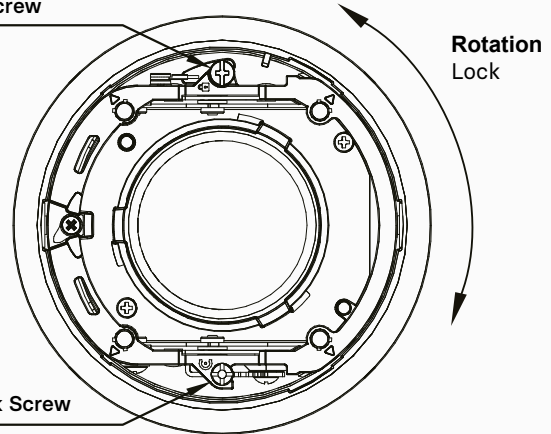
- 1 - Make round cut-out of 105mm.
- 2 - Switch power off. Place driver in ceiling cavity.
- 3 - Connect luminaire to driver .
- 4 - Using finger pressure, push the mounting springs against the fixture body and raise the fixture into the cutout. Release the springs when the fixture is at a level where it can be pushed up flush to the ceiling from below.
- 5 - Install the trim and safety cable at the correct position.
- 6 - A. Align trim and engine to install.  
B. Align the gap on the trim with the screw.  
C. Insert safety lanyard and rotate to lock.

7

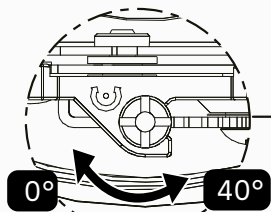
### Rotational aiming 0° - 362°



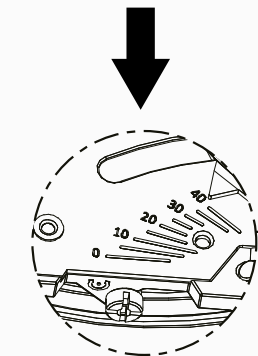
Rotation Lock Screw



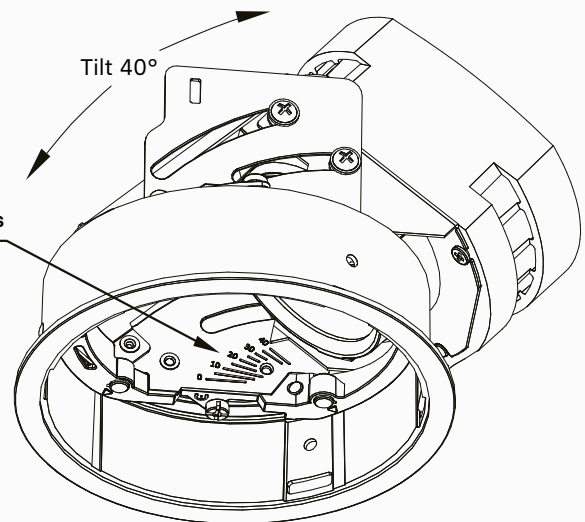
### Vertical aiming 0° - 40°

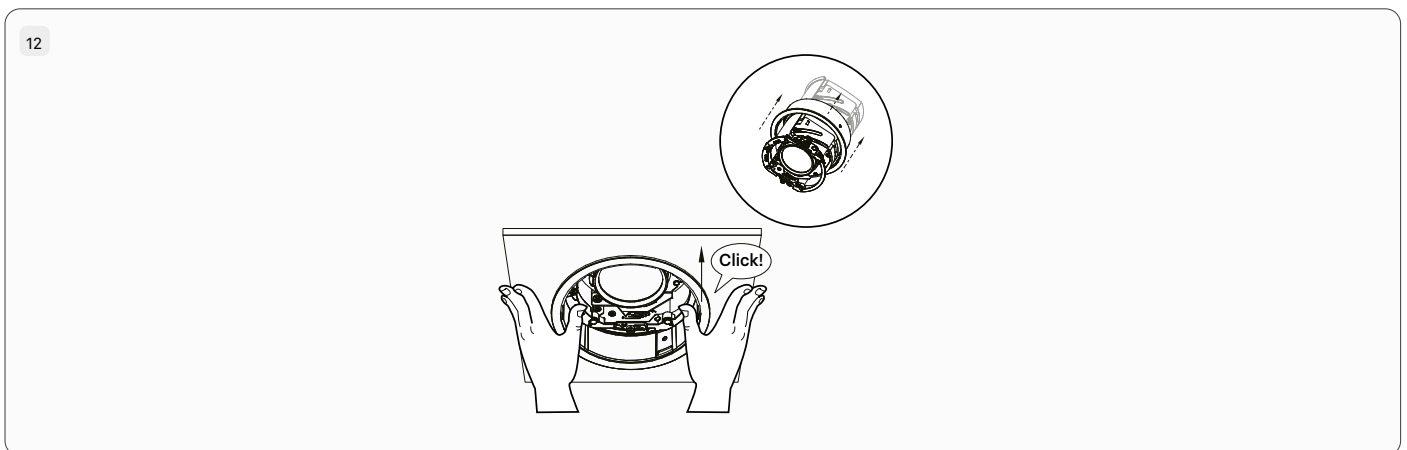
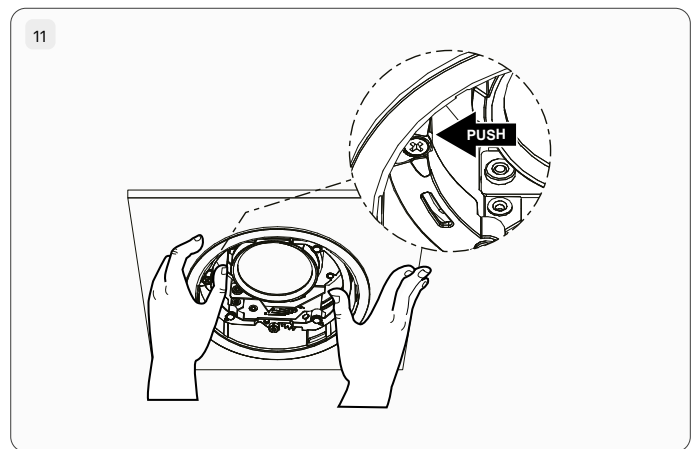
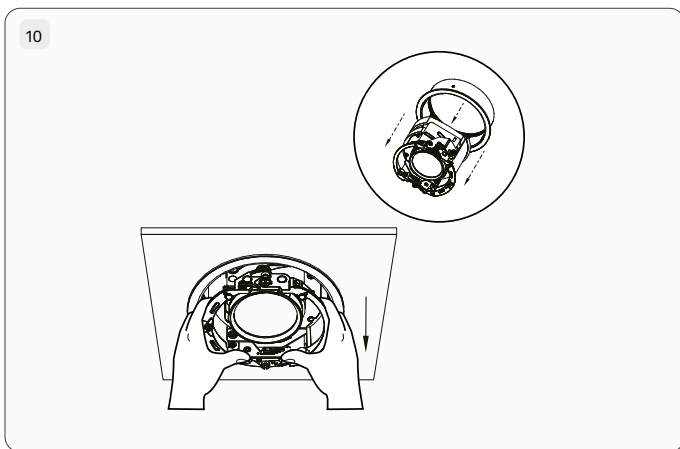
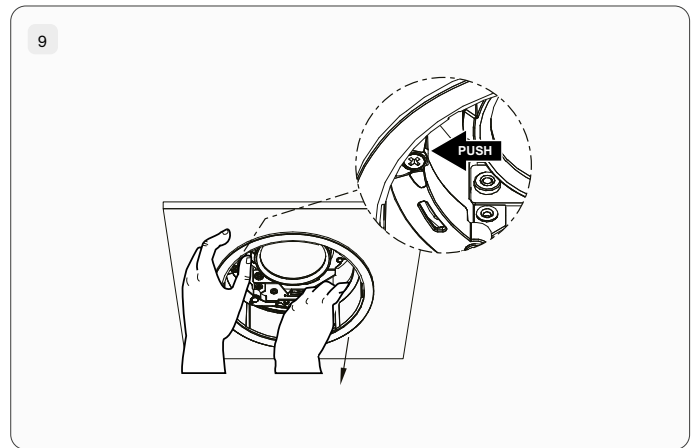
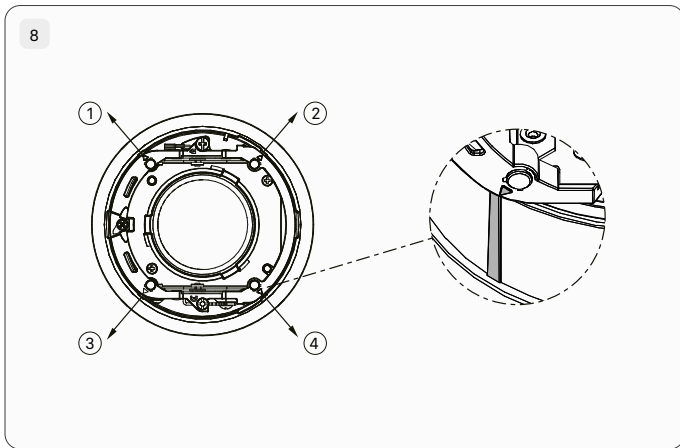


Vertical Tilt Lock Screw



Tilt Angle Indicators





**Remove and Install Light Engine**

8 - Rotate light engine to align four arrows with four indicators.

9 - At the indicated position, push light engine against the flange. Pull the light engine at the opposite side until the light engine is released from the flange.

10 - It is then safe to remove light engine from the flange to access the driver.

11 - Push one side of the light engine up at the indicated position. Make sure light engine is locked in place by pushing the light engine against the flange with one finger.

12 - Push the opposite side of the light engine up until you hear a click sound. Rotate the light engine to make sure the light engine is secured in the correct position.