

1 - Make round cut-out of 65mm.

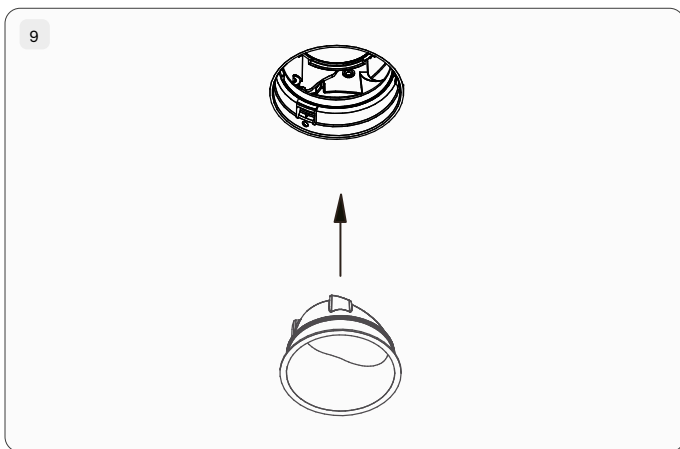
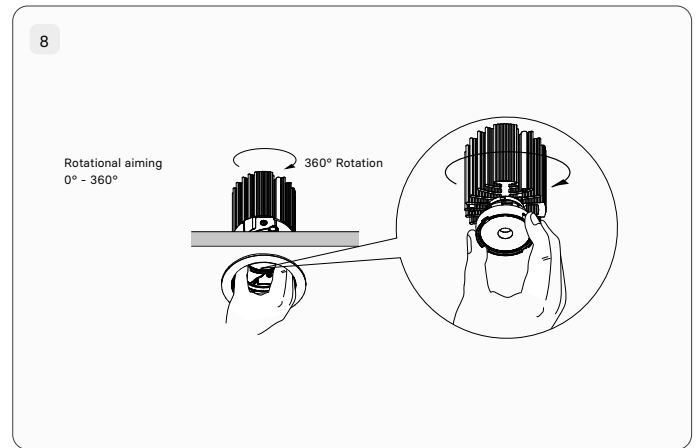
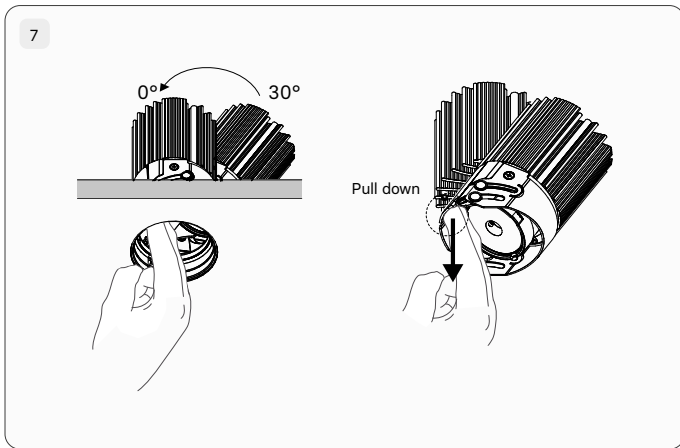
2 - Fix trimless kit into plasterboard with 4 x screws.

3 - Set plaster to stopping bead on trimless kit.

4 - Make electrical connection. Identify position of set screw holes in trimless kit and insert aligned light engine into the kit.

5 - Fasten set screws to secure light engine into the kit.

6 - Tilt as required.



7 - Pull down to return engine to vertical position.

8 - Rotate as required.

9 - Insert inner trim to kit.